

**LINCOLN**<sup>®</sup>  
林肯电梯

## 立体停车设备

# THREE-DIMENSIONAL PARKING EQUIPMENT

专业铸就品质·服务体现价值

PROFESSION CAST THE QUALITY, SERVICE REFLECT THE VALUE



# BORN FOR LUCK, REBUILD THE TYPICAL PARKING EQUIPMENT

运势而生，重塑经典停车设备



## 城市停车高效解决方案

Efficient urban parking solution

随着生活水平的提高，有车一族的队伍也日益壮大，停车难的问题愈发严峻。林肯电梯立体车库产品就此应运而生，专门用于各类车辆的自动停放，有效利用城市空间，满足不同场所的停车需求。

With the improvement of living standards, the number of car owners is growing, and the problem of parking is becoming more and more serious. The product of Lincoln elevator three-dimensional parking garage was created, which was specially designed for automatic parking of all kinds of vehicles, and effectively utilized urban space to meet the parking demand of different places.

## 领先设计，为客户创造价值

Leading design, creating value for customers

- 合理利用城市空间，节约用地面积
- 量身定制停车方案，满足客户所需
- 智能系统全程操控，尽享便捷体验
- 采用多种安全装置，保证万无一失

- Rational use of urban space, saving land area.
- Tailor-made parking plan to meet the needs of customers.
- Intelligent system full control, enjoying the convenience experience.
- Using a variety of safety devices, ensuring safety.

## 高效便捷，提升用户体验

Efficient and convenient, improving user's experience

- 车位信息有显示，让您一目了然
- 存取车简单快速，保障您的时间
- 加宽载车板设计，停车轻松愉悦
- 可多种方式识别，存取精准快捷

- The parking information is displayed so that you can see it at a glance.
- Stopping/taking the car easily and quickly to save your time.
- With the design of a wide board, parking is easy and pleasant.
- Can be recognized in a variety of ways, accessing to accurate and fast.



高效  
Efficient



安全  
safety



美观  
Beautiful



智能  
Intelligent



# TWENTY SAFETY FEATURES FOR PARKING EQUIPMENT

## 停车设备的二十项安全功能

林肯通过完善的安全保护装置和严密的安全措施，建立起一套面向人员、设备及车辆三方的安防体系，完全满足或高于GB17907标准。

Lincoln established a security system of three parties for personnel, equipment and vehicles by improving the safety protection device and strict security measures which fully meets or exceeds GB17907 standards.

1、运转中警告装置（警示灯、蜂鸣器） Warning device in operation (warning light, buzzer)	11、横移车板超限保护 The cross-shifting plate over-limit protection
2、双重上下极限开关，防止超速装置 Double upper and lower limit switches, preventing overspeed device	12、升降车板超限保护 Over-limit protection of lifting plate
3、紧急停止按钮装置 Emergency stop button device	13、超限光电开关（防止车辆划伤） Over-limit photoelectric switch (to prevent vehicle scratches)
4、汽车超长限制装置 Super long vehicle limit device	14、车辆定位装置 Vehicle positioning device
5、防人、车误闯入光电检测装置 Anti-personnel and car break-in photoelectric detection device	15、紧急维修手动操作器 Emergency maintenance manual operator
6、防护栏 Guard bars	16、智能显示终端 Intelligent display terminal
7、断电制动装置 Power failure braking device	17、运转超时保护装置 Operation overtime protection device
8、红外线光电检测装置 Infrared photoelectric detection device	18、运转连锁装置 Operation chain device
9、上层车板防坠落装置 Upper deck anti-falling device	19、故障自诊和中文显示 Fault diagnosis and Chinese display
10、电气保护（保护电源、电压和电流，防雷电、抗干扰） Electrical protection (protection of power, voltage and current, lightning protection, anti-interference)	20、安全使用标识、标牌 Safety using signs, labels

适停车辆型式 Parking vehicle type	小型车X Landulet X	中型车Z Medium car Z	大型车D Oversize vehicle D	特大型车T Extra-large car T	超大型车C Ultra-large car C	客车K Coach K
车辆尺寸mm Vehicle size mm 长×宽×高 Length×Width×Height	≤4400X 1750X1450	≤4700X 1800X1450	≤5000X 1850X1550	≤5300X 1900X1550	≤5600X 2050X1550	≤5000X 1850X2050
车重 car weight kg	≤1300	≤1500	≤1700	≤2350	≤2550	≤1850

操作方式：按键式/刷卡方式/PLC控制    Operation mode: keystroke / card mode /PLC control

电源：三相交流 380V/50HZ    Power supply: three phase current 380V/50HZ

取车时间：10车及以下停车库：至多90s内取出一车    10-50辆车的停车库：至多180s内取出一辆车  
Pick-up time: Parking garage for 1-10 vehicles: one car is taken out at most 90s. Parking garage for 10-50 vehicles: one car is taken out at most 180s.

备注：以上设备尺寸，为标准尺寸，也可以做非标尺寸，具体参数请与我司技术部联系。2.请按林肯电梯有限公司提供的基础图施工  
Note: the above equipment size is standard size, and non-standard size can be made. Please contact our technical department for specific parameters.  
2. Please follow the basic drawings provided by Lincoln Elevator Co., Ltd. to construct.

### 停车 Parking

输入停车指令（如刷IC卡）→空载车板到达出入库层地面→人将车开入载车板→人离开汽车→车随载车板移动到指定位置  
Enter the parking instruction (such as IC card) → no-loading board to reach the landing floor → people will drive the car into the loading board → people leave the car, the car moves with the loading board to the specified location

### 取车 Picking up the car

输入取车指令（如刷IC卡）→载有指定车辆的载车板到达出入库层地面→人进入车并将车开出  
Enter the taking instruction (such as IC card) → loading board with the specified vehicle to reach the landing floor → people enter the car and drive the car out

# SIMPLE LIFTING THREE-DIMENSIONAL PARKING GARAGE

## PJS简易升降类立体停车库（基坑二层、基坑三层）

### 以林肯基坑三层简易升降立体车库示意图为例：

Take an example of Lincoln simple lifting three-dimensional garage with three layers of foundation pit schematic



### 产品介绍 Product description

借助林肯独特的升降机构，用户仅需输入进出车库的密码+车位号码或刷IC卡，升降动作将自动完成，指定车位就会到达出入库层地面，用户即可将车停入该车位的载车板上，或从该车位的载车板上把车开出。

With Lincoln's unique lifting mechanism, users simply enter the password to access the garage + car number or brushing IC card, lifting movements will be automatically completed, the designated parking spaces will reach the landing floor, the user can park the car into the parking lot on loading board, or drive the car out from the car parking board.

### 特点 Features

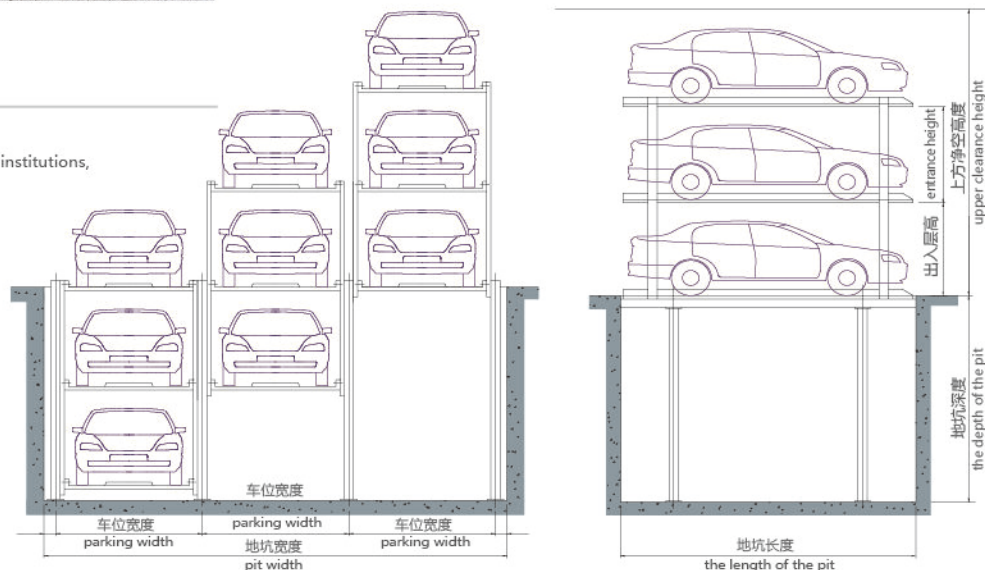
1. 每组上下两个或上中下三个载车板为一体，同时做升降运动
2. 手动或 IC 卡操作后自动运行，存取车方便快捷
3. 钢结构，表面喷塑，环保无铅，经久耐用，防腐蚀
4. 设有多重安全保护装置，安全可靠
5. 可充分利用地下室空间场所，在面积一定时，空间利用率提升一至两倍

1. In each group, two upper and lower vehicle boards or three (upper, middle, lower) are integrated, and the lifting movement is performed simultaneously.
2. Manual operation or automatic operation after IC card operation, accessing to the car conveniently and quickly.
3. Steel structure, surface spraying with plastic, environment-friendly and lead-free, durable and anti-corrosion.
4. With multiple safety protection devices, it is safe and reliable.
5. Can make full use of the space in the basement. When the area is certain, the utilization rate of space can be increased by one to two times.

### 适用范围 Application scope

私家别墅、住宅小区、企事业单位、地下室等

Private villas, residential quarters, enterprises and institutions, basement and so on.





# PSH LIFT-SLIDING PARKING SYSTEM

## PSH升降横移类停车设备（六层及以下）

### 以林肯二层升降横移立体停车库示意图为例：

Take an example of Lincoln cross-shifting three-dimensional garage with two layers schematic



### 适用范围 Scope of application

住宅小区、地下车库增容改造，室外空地（室外时外围可装修，可架设遮雨棚）。

### 产品介绍 Product description

林肯六层及以下升降横移停车库，全部为钢结构组件，采用马达链条驱动，四点钢索悬吊技术，出入车辆时载车板需下降至地面层，地面层车位的载车板仅做横移动作（每组须留有一个横移空位，以利于上层车位下降时使用）。

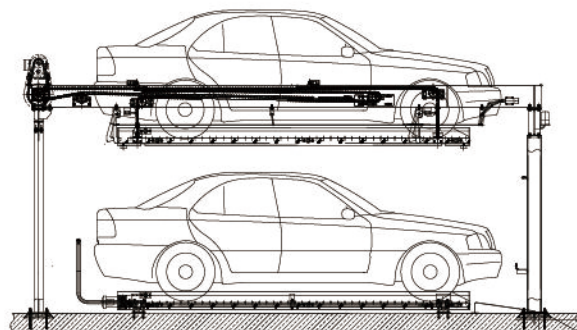
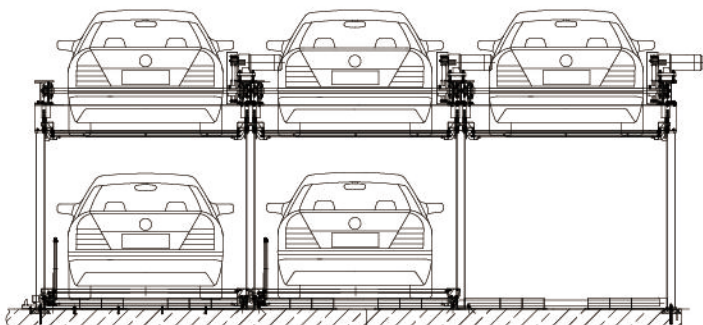
Lincoln six layers or less lifting and moving parking garage, all for the steel structure components, driven by a motor chain, four wire suspension technology, when accessing to the vehicle, the parking board needs to drop to the ground floor, parking board on the ground floor only do sliding movement (each group shall be left a vacancy in order to facilitate the upper parking space's dripping).

### 特点 Features

1. 可根据场地大小和形状灵活排列，可实现停车数量的成倍提高，充分利用地上地下空间
2. 配置多重安全防护检测装置，确保全程运行可靠
3. 模块化结构，安装周期短，维护方便

1. It can be arranged flexibly according to the size and shape of the site, so that the number of parking can be multiplied and the underground space can be fully utilized.
2. Configure multiple safety detection devices to ensure reliable operation.
3. Modular structure, short installation period and convenient maintenance.

Residential area, renovation of underground garage and outdoor space (outdoor decoration can be built, and shelter can be set up).



# PCX VERTICAL CIRCULATION TYPE PARKING EQUIPMENT

## PCX垂直循环类停车设备（12车位及以下）



### 产品介绍 Product introduction

林肯垂直循环类停车设备通过减速电机带动传动机构，在牵引链条上每隔一定距离安装一个吊篮，存车托架随链条一起作循环运动。用户只需刷 IC 卡或键入车位号并将车开入吊篮，即实现停车，反之取车成功。

Lincoln vertical circulation type parking equipment drives the transmission mechanism through a geared motor, and hanging baskets are installed at a certain distance on the traction chain. The car storage bracket circulates along with the chain. Users simply brush IC card or enter the parking lot number and drive the car into the basket, that is, to achieve parking, on the contrary, the car is picked up successfully.

### 特点 Features

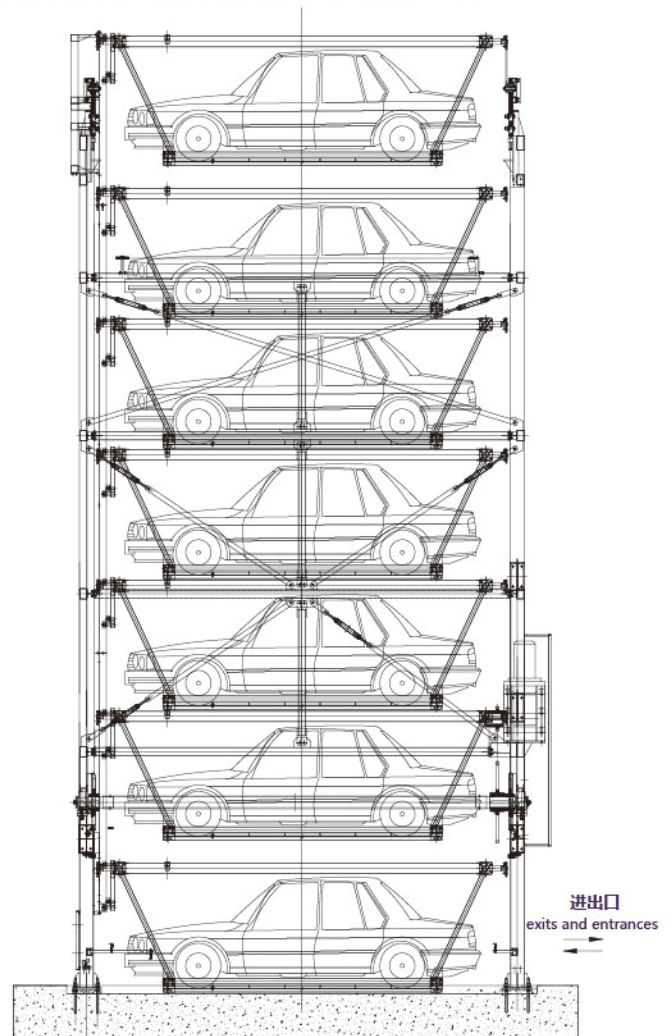
1. 占地小，容量大，利用地面两个半平面停车位可同时停放 12 辆车
2. 设置灵活，可在生活区建筑旁的间隙安装
3. 机械性能稳定，安装操作简便、配置灵活，存取方便
4. 运行平稳，制动可靠，安全性高，外观轻巧美观

1. Small area and large capacity, it can park 12 cars with two and a half parking space on the ground.
2. Flexible layout, which can be installed in the gap between buildings in the living area.
3. Stable mechanical performance, convenient installation, flexible configuration and convenient accessing.
4. Stable operation, reliable braking, high safety, light and beautiful appearance.

### 适用范围 Scope of application

室外空地，也可与其他建筑相连接（外观可通过优化设计与周边环境融为一体，还可因地制宜投放广告，实现增值）。

Outdoor space, and also can be connected with other buildings (appearance can be integrated with surrounding environment by optimizing design, and advertising can be put into according to local conditions to realize value-added).





# PCS VERTICAL LIFT STEREO GARAGE

## PCS垂直升降立体停车库(25层及以下)



### 产品介绍 Product introduction

林肯垂直升降类停车设备是通过提升系统升降,并通过搬运器实现横移,将汽车停放在井道两侧托架上的停车设备,一般以2车位一个层面,整个停车库最多可达25层,即停放50辆车,还可在下层车位安排K型车停车位。

Lincoln vertical lifting parking equipment is lifting through lifting system and cross-shifting through the carrier to park the car on the parking equipment which is on both sides of the hoist-way brackets. In general, each floor has two parking spaces, and the entire parking garage can reach up to 25 floors, which means parking 50 cars, and K-car parking spaces can be arranged on the lower parking spaces.

### 特点 Features

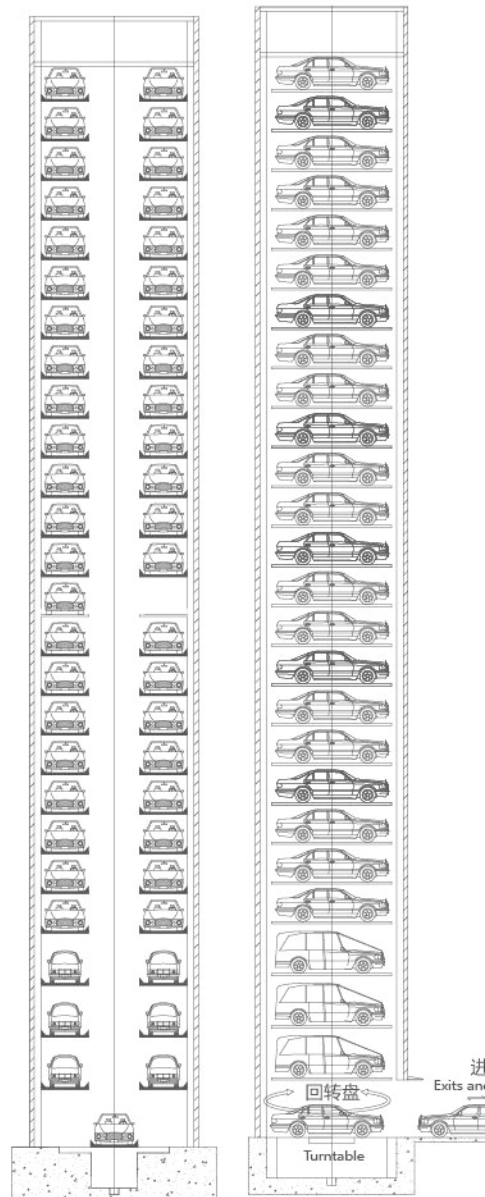
1. 最大效率利用空间
2. 内装置方向转换设备,进出库无需倒车,易于存取
3. 可采用金属结构或混凝土结构
4. 采用全封闭式运行,有效避免车辆被盗和损坏

1. Maximum efficiency of the space using.
2. Internal device direction conversion equipment, the inbound and outbound without reversing, easy to access.
3. Metal structure or concrete structure can be adopted.
4. Fully enclosed operation is adopted to effectively avoid vehicle theft and damage.

### 适用范围 Scope of application

适用于高层办公楼、住宅、医院、综合商业建筑等用地紧张的项目,新建高层独立式停车库(塔式立体车库),老城改造等。

Suitable for high-rise office building, residential buildings, hospitals, comprehensive commercial buildings and other land tension projects, new high-rise independent parking garage (tower type stereo garage), old city reconstruction, etc.





**全国服务热线**

National Service Hotline

**: 400-826-9599**

## 林肯电梯（中国）有限公司 Lincoln Elevator (China) Co.,Ltd.

地址：中国浙江省海宁市尖山新区凤凰路78号  
Add: No.78 Fenghuang Road Jianshan New  
District Haining Zhejiang China  
电话(Tel)：+86-573-87805995  
传真(Fax)：+86-573-87805996  
E-mail:sales@lincolnelevator.com.cn  
Http://www.lincolnelevator.com.cn

本宣传品为一般信息出版物，我们保留随时更新产品技术和说明的权利。  
本宣传品中的任何字句，无论其字面意思和含义，对任何产品及该产品的用途和质量，  
或者任何购销合同条款的表述与更改均不承担责任。  
本宣传品中的色样和产品等与实物有色差，以实样为准。

林肯电梯（中国）有限公司版权所有 2018年04月份印刷Printed in April,2018



林肯电梯微信公众号



## TWENTY SAFETY FEATURES FOR PARKING EQUIPMENT

### 停车设备的二十项安全功能

林肯通过完善的安全保护装置和严密的安全措施，建立起一套面向人员、设备及车辆三方的安防体系，完全满足或高于GB17907标准。  
Lincoln established a security system of three parties for personnel, equipment and vehicles by improving the safety protection device and strict security measures which fully meets or exceeds GB17907 standards.

- |  |   |
|--|---|
| 1、运转中警告装置（警示灯、蜂鸣器）<br>Warning device in operation (warning light, buzzer)  | 11、横移车板超限保护<br>The cross-shifting plate over-limit protection                       |
| 2、双重上下极限开关，防止超速装置<br>Double upper and lower limit switches, preventing overspeed device  | 12、升降车板超限保护<br>Over-limit protection of lifting plate                               |
| 3、紧急停止按钮装置<br>Emergency stop button device   | 13、超限光电开关（防止车辆划伤）<br>Over-limit photoelectric switch (to prevent vehicle scratches) |
| 4、汽车超长限制装置<br>Super long vehicle limit device  | 14、车辆定位装置<br>Vehicle positioning device   |
| 5、防人、车误闯入光电检测装置<br>Anti-personnel and car break-in photoelectric detection device  | 15、紧急维修手动操作器<br>Emergency maintenance manual operator                               |
| 6、防护栏<br>Guard bars  | 16、智能显示终端<br>Intelligent display terminal   |
| 7、断电制动装置<br>Power failure braking device   | 17、运转超时保护装置<br>Operation overtime protection device                                 |
| 8、红外线光电检测装置<br>Infrared photoelectric detection device   | 18、运转连锁装置<br>Operation chain device   |
| 9、上层车板防坠落装置<br>Upper deck anti-falling device  | 19、故障自诊和中文显示<br>Fault diagnosis and Chinese display                                 |
| 10、电气保护（保护电源、电压和电流，防雷电、抗干扰）<br>Electrical protection (protection of power, voltage and current, lightning protection, anti-interference) | 20、安全使用标识、标牌<br>Safety using signs, labels  |

适停车辆型式 Parking vehicle type	小型车X Landulet X	中型车Z Medium car Z	大型车D Oversize vehicle D	特大型车T Extra-large car T	超大型车C Ultra-large car C	客车K Coach K
车辆尺寸mm Vehicle size mm 长×宽×高 Length×Width×Height	≤4400X	≤4700X	≤5000X	≤5300X	≤5600X	≤5000X
车重 car weight kg	≤1300	≤1500	≤1700	≤2350	≤2550	≤1850

操作方式：按键式/刷卡方式/PLC控制    Operation mode: keystroke / card mode / PLC control

电源：三相交流 380V/50HZ    Power supply: three phase current 380V/50HZ

取车时间：10车及以下停车库：至多90s内取出一车    10-50辆车的停车库：至多180s内取出一辆车  
Pick-up time: Parking garage for 1-10 vehicles: one car is taken out at most 90s. Parking garage for 10-50 vehicles: one car is taken out at most 180s.

备注：以上设备尺寸，为标准尺寸，也可以做非标尺寸，具体参数请与我司技术部联系。2.请按林肯电梯有限公司提供的基础图施工  
Note: the above equipment size is standard size, and non-standard size can be made. Please contact our technical department for specific parameters. 2. Please follow the basic drawings provided by Lincoln Elevator Co., Ltd. to construct.

#### 停车 Parking

输入停车指令（如刷IC卡）→空载车板到达出入库层地面→人将车开入载车板→人离开汽车→车随载车板移动到指定位置  
Enter the parking instruction (such as IC card) → no-loading board to reach the landing floor → people will drive the car into the loading board → people leave the car, the car moves with the loading board to the specified location

#### 取车 Picking up the car

输入取车指令（如刷IC卡）→载有指定车辆的载车板到达出入库层地面→人进入车并将车开出  
Enter the taking instruction (such as IC card) → loading board with the specified vehicle to reach the landing floor → people enter the car and drive the car out

 **全国服务热线**  
National Service Hotline  
: 400-826-9599

**林肯电梯（中国）有限公司**  
Lincoln Elevator (China) Co., Ltd.

地址：中国浙江省海宁市尖山新区凤凰路78号  
Add: No.78 Fenghuang Road Jianshan New District Haining Zhejiang China  
电话(Tel): +86-573-87805995  
传真(Fax): +86-573-87805996  
E-mail:sales@lincolnelevator.com.cn  
Http://www.lincolnelevator.com.cn

本宣传品为一般信息出版物，我们保留随时更新产品技术和说明的权利。  
本宣传品中的任何字句，无论其字面意思和含义，对任何产品及该产品的用途和质量，或者任何购销合同条款的表述与更改均不承担责任。  
本宣传品中的色样和产品等与实物有色差，以实样为准。

林肯电梯（中国）有限公司版权所有 2018年04月份印刷Printed in April,2018



林肯电梯微信公众号

**LINCOLN®**  
**林肯电梯**

## 立体停车设备

# THREE-DIMENSIONAL PARKING EQUIPMENT

专业铸就品质·服务体现价值

PROFESSION CAST THE QUALITY, SERVICE REFLECT THE VALUE



BORN FOR LUCK, REBUILD THE TYPICAL PARKING EQUIPMENT

运势而生，重塑经典停车设备



#### 城市停车高效解决方案

随着生活水平的提高，有车一族的队伍也日益壮大，停车难的问题愈发严峻。林肯电梯立体停车库产品就此应运而生，专门用于各类车辆的自动停放，有效利用城市空间，满足不同场所的停车需求。

With the improvement of living standards, the number of car owners is growing, and the problem of parking is becoming more and more serious. The product of Lincoln elevator three-dimensional parking garage was created, which was specially designed for automatic parking of all kinds of vehicles, and effectively utilized urban space to meet the parking demand of different places.

#### 领先设计，为客户创造价值

Leading design, creating value for customers

- 合理利用城市空间，节约用地面积
- 量身定制停车方案，满足客户所需
- 智能系统全程操控，尽享便捷体验
- 采用多种安全装置，保证万无一失

- Rational use of urban space, saving land area.
- Tailor-made parking plan to meet the needs of customers.
- Intelligent system full control, enjoying the convenience experience.
- Using a variety of safety devices, ensuring safety.

#### 高效便捷，提升用户体验

Efficient and convenient, improving user's experience

- 车位信息有显示，让您一目了然
- 停取车简单快速，保障您的时间
- 加宽载车板设计，停车轻松愉悦
- 可多种方式识别，存取精准快捷

- The parking information is displayed so that you can see it at a glance.
- Stopping/taking the car easily and quickly to save your time.
- With the design of a wide board, parking is easy and pleasant.
- Can be recognized in a variety of ways, accessing to accurate and fast.



高效  
Efficient



安全  
Safety



美观  
Beautiful



智能  
Intelligent



## SIMPLE LIFTING THREE-DIMENSIONAL PARKING GARAGE

### PJS简易升降类立体停车库（基坑二层、基坑三层）

#### 以林肯基坑三层简易升降立体车库示意图为例：

Take an example of Lincoln simple lifting three-dimensional garage with three layers of foundation pit schematic



#### 产品介绍 Product description

借助林肯独特的升降机构，用户仅需输入进出车库的密码+车位号码或刷IC卡，升降动作将自动完成，指定车位就会到达出入库层地面，用户即可将车停入该车位的载车板上，或从该车位的载车板上把车开出。

With Lincoln's unique lifting mechanism, users simply enter the password to access the garage + car number or brushing IC card, lifting movements will be automatically completed, the designated parking spaces will reach the landing floor, the user can park the car into the parking lot on loading board, or drive the car out from the car parking board.

#### 特点 Features

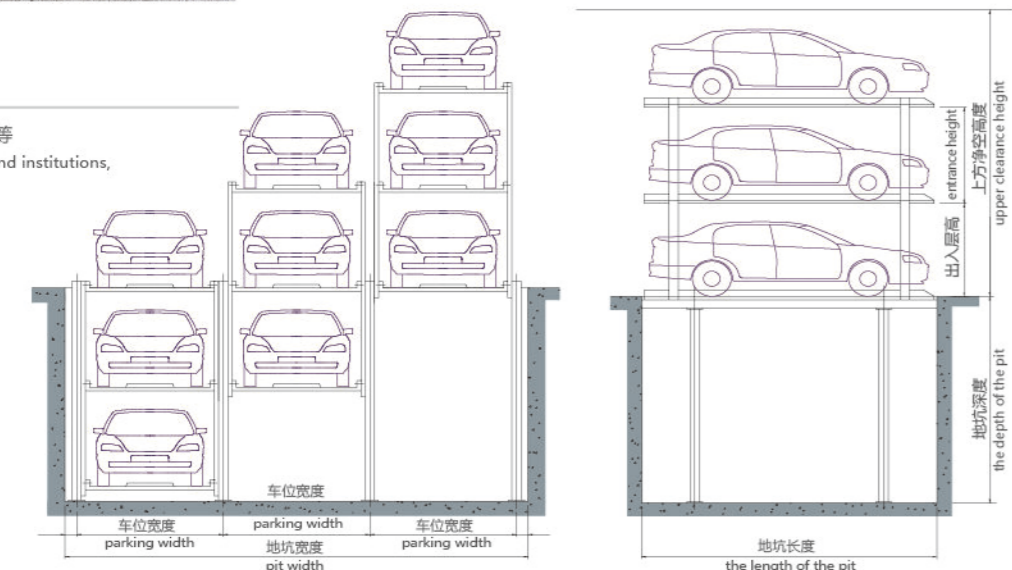
1. 每组上下两个或上中下三个载车板为一体，同时做升降运动
2. 手动或IC卡操作后自动运行，存取车方便快捷
3. 钢结构，表面喷漆，环保无铅，经久耐用，防腐蚀
4. 设有多重安全保护装置，安全可靠
5. 可充分利用地下室空间场所，在面积一定时，空间利用率提升一至两倍

1. In each group, two upper and lower vehicle boards or three (upper, middle, lower) are integrated, and the lifting movement is performed simultaneously.
2. Manual operation or automatic operation after IC card operation, accessing to the car conveniently and quickly.
3. Steel structure, surface spraying with plastic, environment-friendly and lead-free, durable and anti-corrosion.
4. With multiple safety protection devices, it is safe and reliable.
5. Can make full use of the space in the basement. When the area is certain, the utilization rate of space can be increased by one to two times.

#### 适用范围 Application scope

私家别墅、住宅小区、企事业单位、地下室等

Private villas, residential quarters, enterprises and institutions, basement and so on.



## PSH LIFT-SLIDING PARKING SYSTEM

### PSH升降横移类停车设备（六层及以下）

#### 以林肯二层升降横移立体车库示意图为例：

Take an example of Lincoln cross-shifting three-dimensional garage with two layers schematic



#### 产品介绍 Product description

林肯六层及以下升降横移停车库，全部为钢结构组件，采用马达链条驱动，四点钢索悬吊技术，出入车辆时载车板需下降至地面层，地面层车位的载车板仅做横移动作（每组须留有一个横移空位，以利于上层车位下降时使用）。

Lincoln six layers or less lifting and moving parking garage, all for the steel structure components, driven by a motor chain, four wire suspension technology, when accessing to the vehicle, the parking board needs to drop to the ground floor, parking board on the ground floor only do sliding movement (each group shall be left a vacancy in order to facilitate the upper parking space's dripping).

#### 特点 Features

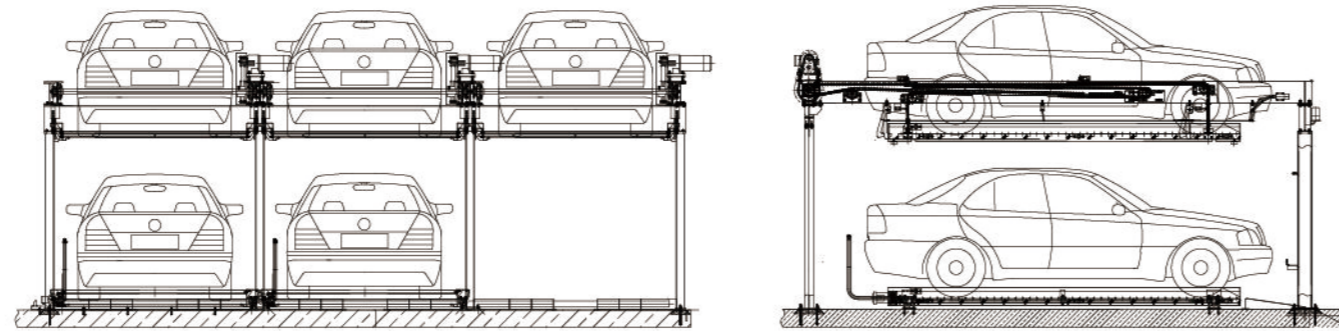
1. 可根据场地大小和形状灵活排列，可实现停车数量的成倍提高，充分利用地上地下空间
2. 配置多重安全防护检测装置，确保全程运行可靠
3. 模块化结构，安装周期短，维护方便

1. It can be arranged flexibly according to the size and shape of the site, so that the number of parking can be multiplied and the underground space can be fully utilized.
2. Configure multiple safety detection devices to ensure reliable operation.
3. Modular structure, short installation period and convenient maintenance.

#### 适用范围 Scope of application

住宅小区、地下车库扩容改造，室外空地（室外时外围可装修，可架设遮雨棚）。

Residential area, renovation of underground garage and outdoor space (outdoor decoration can be built, and shelter can be set up).



## PCX VERTICAL CIRCULATION TYPE PARKING EQUIPMENT

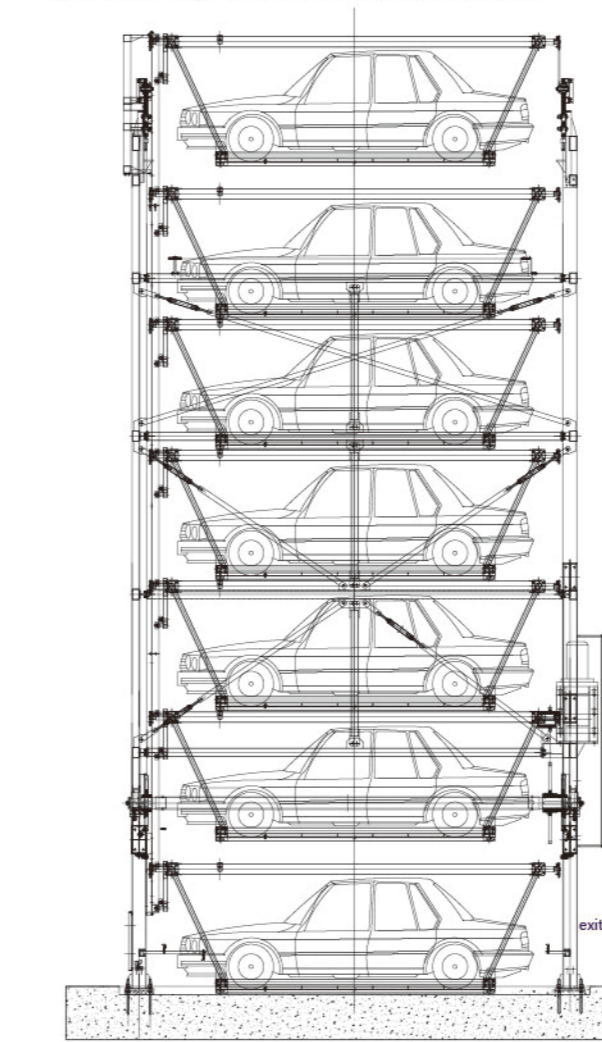
### PCX垂直循环类停车设备（12车位及以下）



#### 适用范围 Scope of application

室外空地，也可与其他建筑相连接（外观可通过优化设计与周边环境融为一体，还可因地制宜投放广告，实现增值）。

Outdoor space, and also can be connected with other buildings (appearance can be integrated with surrounding environment by optimizing design, and advertising can be put into according to local conditions to realize value-added).



#### 产品介绍 Product introduction

林肯垂直循环类停车设备通过减速机带动传动机构，在牵引链条上每隔一定距离安装一个吊篮，存车托架随链条一起作循环运动，用户只需刷IC卡或键入车位号并将车开入吊篮，即实现停车，反之取车成功。

Lincoln vertical circulation type parking equipment drives the transmission mechanism through a geared motor, and hanging baskets are installed at a certain distance on the traction chain. The car storage bracket circulates along with the chain. Users simply brush IC card or enter the parking lot number and drive the car into the basket, that is, to achieve parking, on the contrary, the car is picked up successfully.

#### 特点 Features

1. 占地小，容量大，利用地面两个半平面停车位可同时停放12辆车
2. 设置灵活，可在生活区建筑旁的间隙安装
3. 机械性能稳定，安装操作简便，配置灵活，存取方便
4. 运行平稳，制动可靠，安全性高，外观轻巧美观

1. Small area and large capacity; it can park 12 cars with two and a half parking space on the ground.
2. Flexible layout, which can be installed in the gap between buildings in the living area.
3. Stable mechanical performance, convenient installation, flexible configuration and convenient accessing.
4. Stable operation, reliable braking, high safety, light and beautiful appearance.

## PCS VERTICAL LIFT STEREO GARAGE

### PCS垂直升降立体停车库(25层及以下)



#### 产品介绍 Product introduction

林肯垂直升降类停车设备是通过提升系统升降，并通过搬运器实现横移，将汽车停放在井道两侧托架上的停车设备，一般以2车位一个层面，整个车库最多可达25层，即停放50辆车，还可在下层车位安排K型车停车位。

Lincoln vertical lifting parking equipment is lifting through lifting system and cross-shifting through the carrier to park the car on the parking equipment which is on both sides of the hoist-way brackets. In general, each floor has two parking spaces, and the entire parking garage can reach up to 25 floors, which means parking 50 cars, and K-car parking spaces can be arranged on the lower parking spaces.

#### 特点 Features

1. 最大效率利用空间
2. 内装置方向转换设备，进出库无需倒车，易于存取
3. 可采用金属结构或混凝土结构
4. 采用全封闭式运行，有效避免车辆被盗和损坏

1. Maximum efficiency of the space used.
2. Internal device direction conversion equipment, the inbound and outbound without reversing, easy to access.
3. Metal structure or concrete structure can be adopted.
4. Fully enclosed operation is adopted to effectively avoid vehicle theft and damage.

#### 适用范围 Scope of application

适用于高层办公楼、住宅、医院、综合商业建筑等用地紧张的工程，新建高层独立式立体车库（塔式立体车库），老城改造等。

Suitable for high-rise office building, residential buildings, hospitals, comprehensive commercial buildings and other land tension projects, new high-rise independent parking garage (tower type stereo garage), old city reconstruction, etc.

